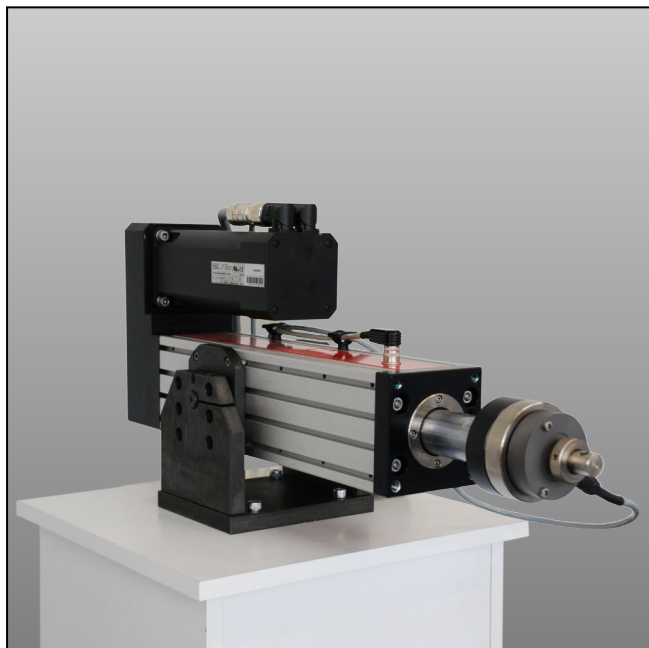


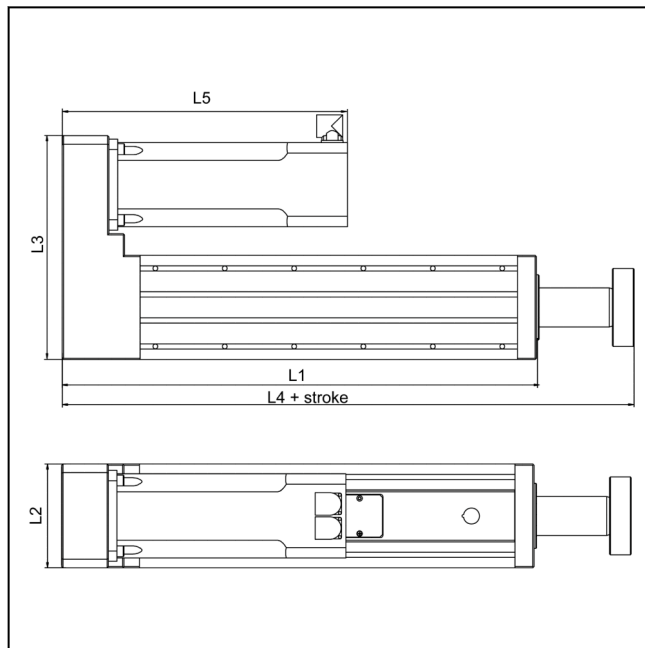
Product Information

Electro-mechanical testing actuator EZ001 / EZ002 / EZ005

CTA: 99719 76180



Electro-mechanical testing actuator - small type



Drawing of electro-mechanical testing actuator

Range of application

Multi-purpose testing axis for tensile and compression applications. For variable integration in test stands, production lines or customized constructions. Dedicated for force/travel measurements with high demands on resolution, accuracy and speed.

Typical application areas:

- Testing of materials, assemblies, components and complete end products
- Manufacturing processes with measurement performance (e.g. automatic assembly, mounting)
- Cyclic tests with large strokes

Advantages and features

Flexible usage:

- Variable mounting via front or rear flange or via trunion mount
- measurement and control electronics *testControl II* in separate casing and therewith optional positionable (Optional in IP54 casing)

- Flexible programming of test sequences due to versatile interfaces
- Ideally usage for clean room areas

High performance:

- Speeds up to 30 m/min
- High resolution measurement and control electronics *testControl II* for precise data acquisition with up to 2000 Hz
- Closed loop control of force and travel with smooth switching between those modes

Large variety of standard modules:

- Easy mounting of Zwick load cells and tooling
- Operation via standard PC and *testXpert® II* software
- Proven digital drive technology controlled by Zwick standard electronics

Easy to install and maintain:

- Installation possible without additional infrastructure (like e.g. hydraulic pumps or pneumatic connections)
- Low maintenance costs and long lifetime

Product Information

Electro-mechanical testing actuator EZ001 / EZ002 / EZ005

Model I	EZ001	EZ001	EZ002	EZ002	EZ005	
Electromechanical servo testing actuator						
Fmax (tensile/compression)	1	1	2	2	5	kN
Max. test speed	7500	30000	7500	15000	5000	mm/m in
Max. test speed	125	500	125	250	83	mm/s
Travel resolution	2.38	19.07	2.38	9.54	3.18	nm
Positioning repetition accuracy	±2.5	± 6	± 2.5	± 6	±2.5	µm
L1 – Length	547	547	547	547	547	mm
L2 – Width	120	120	120	120	120	mm
L3 – Depth	270	282	270	282	282	mm
L4 – Length including piston rod	660	670	660	660	660	mm
L4 – Length including motor	275	329	275	329	329	mm
Total weight (approx.)	22	26	22	26	26	kg
Max. piston stroke						
- Standard	200	180	200	200	200	mm
- Alternative	400	380	400	400	400	mm
Ambient temperature	+10 to +35	+10 to +35	+10 to +35	+10 to +35	+10 to +35	°C
Air humidity	20 – 90	20 – 90	20 – 90	20 – 90	20 – 90	%
testControl II measurement and control electronics						
Measurement range	≤165	≤165	≤165	≤165	≤165	%
Recording rate, internal	400	400	400	400	400	kHz
Measurement value transmission rate to PC	500	500	500	500	500	Hz
Adjustable (optional)	2000	2000	2000	2000	2000	Hz
Electrical connection 1 Ph/N/PE	230	230	230	230	230	V
Max. power consumption	2200	2200	2200	2200	2200	VA
Power frequency	50/60	50/60	50/60	50/60	50/60	Hz
Item no.						
Standard piston stroke	1023356	1023358	1023360	1023362	1023364	
Alternative piston stroke ¹⁾	1023357	1023359	1023361	1023363	1023365	

1) Length and weight are different with alternative piston stroke

Required accessories

Description	Item number
Load cell Fmax. 1 kN	637918
Load cell Fmax. 2 kN	637919
Load cell Fmax. 5 kN	637920

Product Information

Electro-mechanical testing actuator EZ001 / EZ002 / EZ005

Optional accessories

Description	Item number
Load frame	636311
IP54 casing	1026595
Remote control	1025096
Safeguard	1027004
Trunnion mounting	636380