

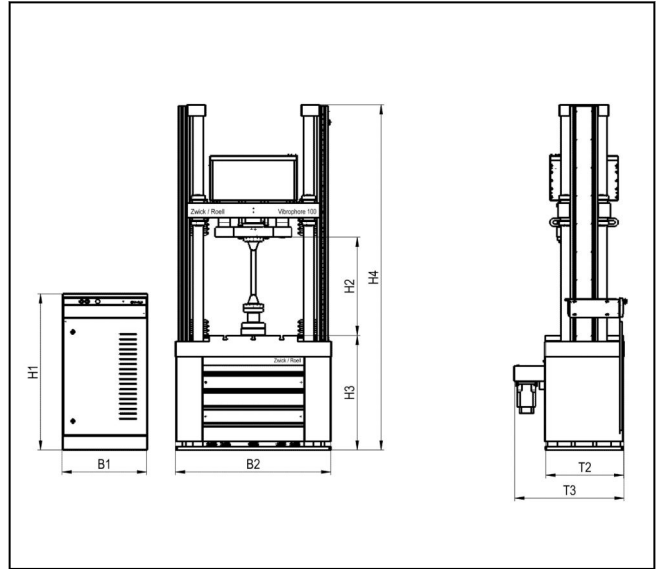
Product Information

Vibrophore 100

CTA: 58222 59794



Vibrophore 100



Drawing: Vibrophore 100

Range of applications

The Zwick Vibrophore represents the latest generation of high-frequency pulsators, combining for the first time an electro-magnetically excited dynamic testing machine with a fully functional static materials testing machine. This is made possible by the 'two in one' function developed by Zwick.

As well as being employed for quasi-static tensile and compression tests, Vibrophores are used in particular for determination of fatigue strength with regard to fatigue life and fatigue limit.

This allows highly efficient fatigue testing, for example to DIN 50100 (S-N curve), with tensile, compression, pulsating and alternating loads.

Other typical applications include fatigue tests on components (e.g. connecting rods, crankshafts, chains and threaded connectors) and standard metal specimens, together with fracture mechanics investigations on CT and SEB specimens,

All tests can be force, displacement or strain-controlled, while with the addition of appropriate devices testing can also be carried out under various environmental conditions (e.g. temperature, aggressive media), together with torsion and flexure tests.

Advantages and features

- fully functional static and dynamic testing machine with stiff four-column load frame
- high test-frequencies, giving short test times and high specimen throughput
- easy to operate via testXpert III and testXpert Research test programs matched exactly to the testing situations
- resonance drive has very low energy consumption (only around 2% of that of servo-hydraulic testing machines)
- easy to install - no ancillary units or systems (e.g. hydraulics, coolant) needed
- maintenance-free system - wear-free components
- clamping table at convenient working height for operator-friendly testing
- remote control with color display showing measurement channels, machine and test status; also used for machine set-up
- testControl II digital measurement and control electronics with 10kHz control frequency and 24-bit resolution
- continuously controlled servo motor for fast, accurate mean force control
- pulse-width modulation for high control stability and low failure liability
- easy test-frequency change simply by varying weights.
- large range of standard tools and fixtures

Product Information

Vibrophore 100

Technical data

Description	Value	
Fmax	100	kN
Mean load max.	±100	kN
Force amplitude max.	±50	kN
Specimen elastic strain (oscillation displacement) max.	6 (±3)	mm
Test frequency range ¹⁾	30 ... 285	Hz
No. of frequency steps ²⁾	8	
No. of guide columns	4	
No. of lead-screw drives	2	
Frame stiffness at 1000mm crosshead separation ³⁾	approx. 380	kN/mm
Drive		
Static tests and for mean force control	AC drive	
min. crosshead speed	0.0001	mm/min
max. crosshead speed	600	mm/min
max. crosshead return speed	1000	mm/min
repeat positioning accuracy on crosshead	±2	µm
motor holding brake	yes	
Dynamic tests	wear-free electro-magnetic drive	
Load-frame dimensions		
H4 - height	2570	mm
H3 - clamping-table height	807	mm
B2 - width	1095	mm
T3 - depth	775	mm
Approx. weight ⁴⁾	3200	kg
Test area dimensions		
Test-area height without load cell	1200	mm
Test area depth	550	mm
Free access width between columns	626	mm
Max. travel, machine frame	977.5	mm
Item No.		
Vibrophore 100 including testControl II	084142	
Optional: two in one for static tests	1009579	
Optional: oscillation displacement measurement	1001259	
Optional: lead screw protection for the testing area placed above the moving crosshead	1016430	
Optional: lead screw protection for the testing area placed below the moving crosshead	1016431	

1) The testing frequency is determined by the stiffness and mass of the test arrangement.

2) via activation / deactivation of weights

3) Load frame stiffness: this value is obtained via direct deformation measurement between the crossheads (moving and base crossheads) and does not take into account deformation of the drive and load cell.

4) Weight without specimen grips or fixtures

Product Information

Vibrophore 100

testControl II measurement and control electronics		
Control frequency	10 kHz	
Measured-value acquisition	10 kHz, 24 bits, arithmetical	
Slots	5 x module bus (2 occupied as default)	
PC interface	GigaBit Ethernet	
Integrated safety concept	2-channel specification for maximum safety interface for interlocked safety doors interface for Emergency STOP loop	
Display-equipped remote control unit	set-up or testing mode Emergency STOP button key-switch for switching between setup and testing modes	
Dimensions, testControl II measurement and control electronics		
H1-height without table plate	1000	mm
B1-width	600	mm
Approx. weight	135	kg
Length of cable Vibrophore - testControl II	5	m
Accessories		
Universal measurement amplifier (029443)	Choice of AC/DC supply Half and full-bridge strain-gages 4 and 6-conductor technology	
I/O card (029448)	1 analog \pm 10V input (controllable) 2 analog \pm 10V outputs 4 digital inputs, 24V 3 digital outputs, 24V 1 relay output, potential-free	
Installation conditions		
Operating temperature	+10 ... +35	°C
Storage temperature	-25 ... +50	°C
Humidity (non-condensing)	20 ... 90	%
Electrical supply		
power supply voltage 3 Ph/N/PE	400	V
power frequency	50 / 60	Hz
back-up fuse	16	A
Noise level at 1 meter distance ¹⁾	80 ... 110	dB(A)

1) Depends on test arrangement, test load and testing frequency