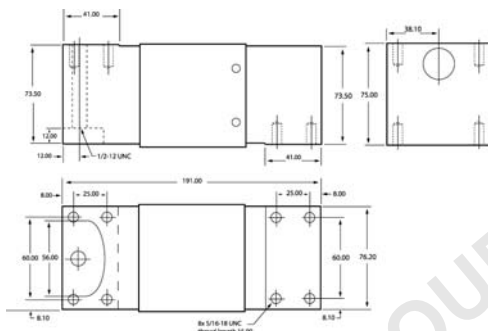




FAY Single Point, Aluminum



CAPACITY MODEL	
250kg	FAY-250
500kg	FAY-500
635kg	FAY-635
1000kg	FAY-1000



DESCRIPTION	PRICE LIST
Single Point Aluminum Load Cells (Equivalent to Rice Lake RL 1250 & Teda 1250)	
• 250, 500, 635, and 1000kg capacities	\$250.00

SPECIFICATIONS:

Rated Output:	2.0mV/V ± 1%
Zero Balance:	± 1% of rated output
Creep after 20 minutes:	0.03% of rated output
Nonlinearity:	0.03% of rated output
Hysteresis:	0.02% of rated output
Repeatability:	0.02% of rated output
Temp. effect on output:	0.002% of applied output/°C
Temp. effect on zero:	0.002% of rated output/°C
Safe Temp. Range:	-10°C to + 80°C
Temp. Compensated:	-10°C to + 50°C
Safe Overload:	2.0 x rated capacity
Input Impedance:	7500Ω ± 30Ω
Output Impedance:	350Ω ± 5Ω
Insulation Resistance:	>5000 MΩ
Rated Excitation:	10V DC/AC
Maximum Excitation:	20V DC/AC
Cable Length:	10 feet
Max. Platform Size:	14" x 14"

SCHEMATIC:

