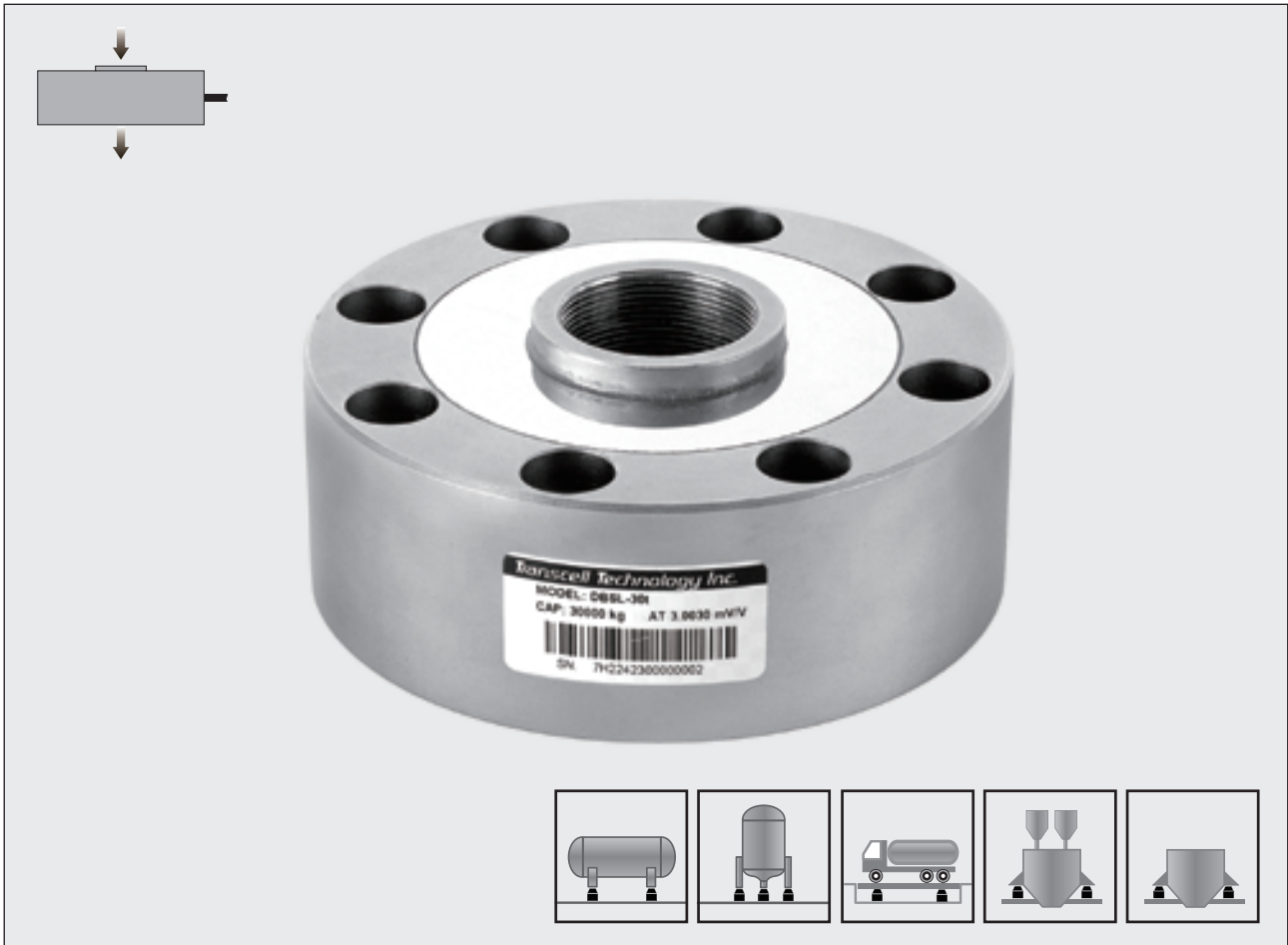


Type DBSL Load Cell



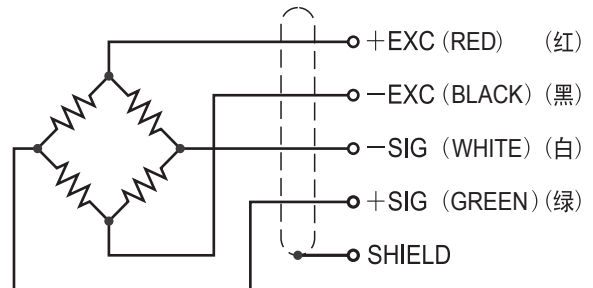
Spoke Type

Features 主要特点

- Spoke type load cell
- Senior alloy steel
- High accuracy
- High stability
- Low profile
- Easy to install
- Protected against corrosion by nickel-plated treatment
- Suitable for testing machine, truck scales and big bin & hopper scales, etc.
- 轮辐式传感器
- 优质合金钢材质
- 高精度
- 高稳定性
- 低外形
- 安装简便、快速
- 表层镀镍防腐处理
- 适用于试验机、汽车衡和大型料斗秤等

Schematic 接线方式

- | | | | |
|---------|----------|------|------|
| Red : | + input | 红色 : | + 激励 |
| Black : | - input | 黑色 : | - 激励 |
| Green : | + output | 绿色 : | + 信号 |
| White : | - output | 白色 : | - 信号 |

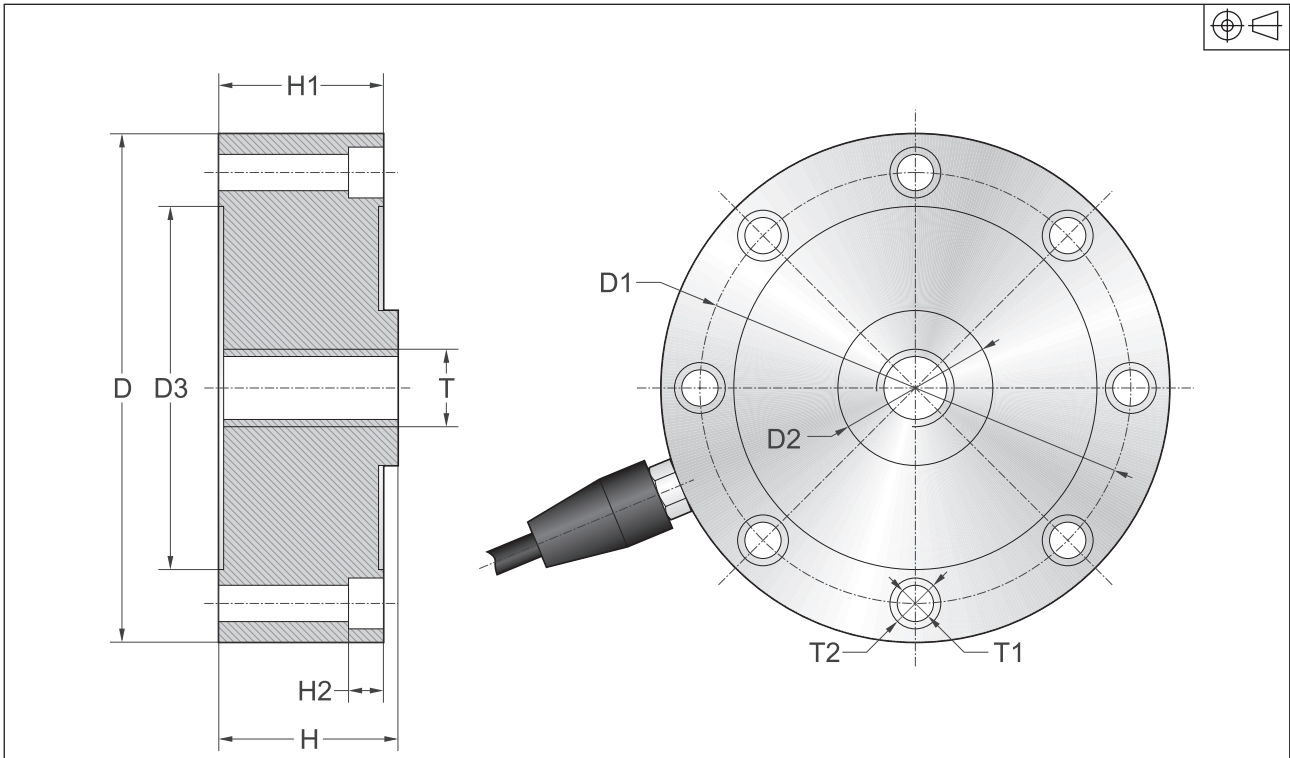


Capacities 量程

1t, 2t, 3t, 5t, 10t, 20t, 30t

※ Larger capacities are also provided (可定制更大量程)

Dimensions 尺寸



| Capacity/量程 | | D | D1 | D2 | D3 | H | H1 | H2 | T | T1 | T2 |
|-------------------|----|--------|--------|-------|------|------|------|------|---------|--------|---------|
| 1t / 2t / 3t / 5t | mm | Ø105 | Ø89 | Ø32 | 75 | 37 | 34 | 7.2 | M16×1.5 | 8×Ø7.5 | 8×Ø10.5 |
| 10t / 20t | mm | Ø120.6 | Ø101.8 | Ø39 | 83 | 53.5 | 41 | 10.5 | M32×1.5 | 8×Ø8.5 | 8×Ø14 |
| 30t | mm | Ø141 | Ø116.8 | Ø50.4 | 96.9 | 57.2 | 50.8 | 11 | M40×1.5 | 8×Ø11 | 8×Ø18 |

Specification 技术参数

| | | |
|------------------------|--------|--|
| Rated Output | 额定输出 | 3.0mV/V ±0.25% |
| Zero Balance | 零点平衡 | ±1% of rated output |
| Creep after 30 minutes | 蠕变 | ±0.03% of rated output |
| Nonlinearity | 非线性 | ±0.03% of rated output |
| Hysteresis | 滞后 | ±0.03% of rated output |
| Repeatability | 重复性 | ±0.03% of rated output |
| Temp. effect on output | 灵敏度温漂 | ≤0.002% of applied output/°C |
| Temp. effect on zero | 零点温漂 | ≤0.002% of rated output/°C |
| Safe Temp. Range | 可用温度范围 | -10°C to + 70°C |
| Temp. Compensated | 温度补偿范围 | -10°C to + 40°C |
| Safe Overload | 安全载荷 | 150% |
| Input Impedance | 输入阻抗 | 775 ohm ± 20 ohm / 387 ohm ± 20 ohm (≤20t) |
| Output Impedance | 输出阻抗 | 700 ohm ± 5 ohm / 350 ohm ± 5 ohm (≤20t) |
| Insulation Resistance | 绝缘阻抗 | ≥5000 M ohm (50V DC) |
| Rated Excitation | 推荐激励电压 | 10V DC/AC |
| Maximum Excitation | 最大激励电压 | 15V DC/AC |
| Cable Length | 导线长度 | 600cm/1000cm |
| Cable Color Code | 导线颜色 | Red(+ E) Black(- E) Green(+ S) White(- S) |

Spoke Type