

BSS

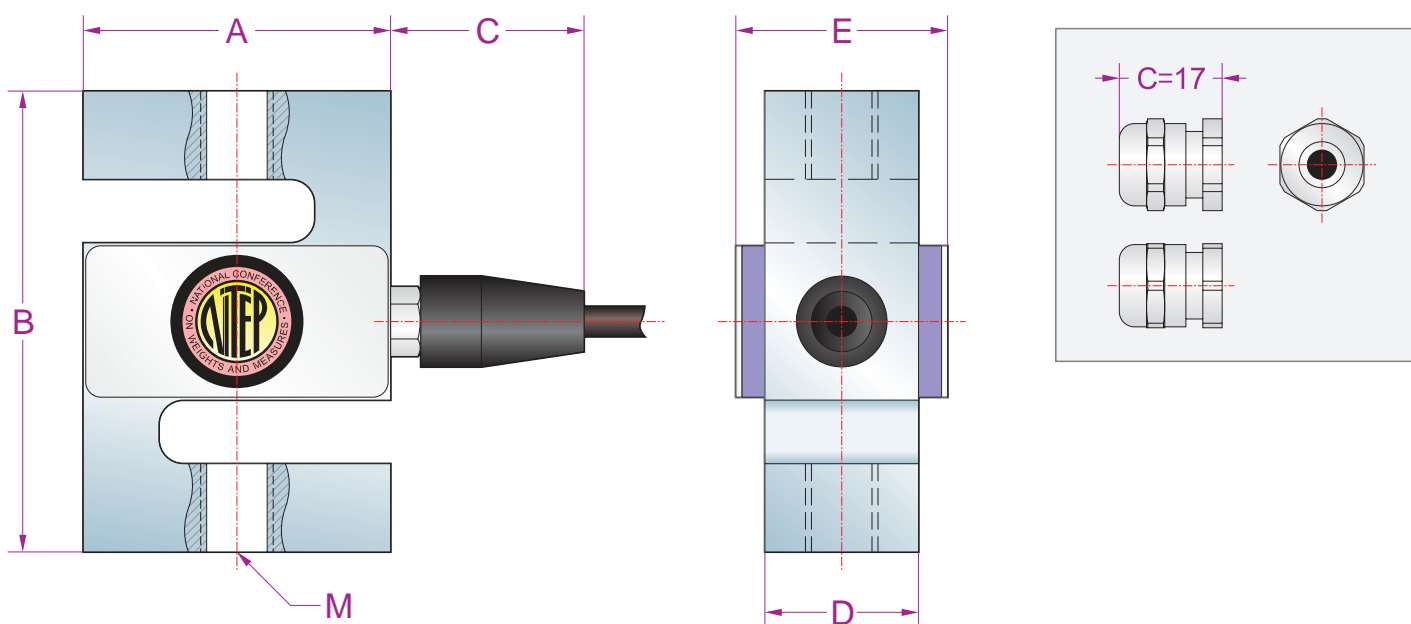


Features

- S-Type Load Cell
- Alloy Steel
- Easy to Install, Stable & Reliable
- Suitable for Tension Measurement, Batching systems, Blending & Mixing systems, Belt Scales and Package Systems, etc.
- Rated up to IP67
- NTEP CoC: 97-028 (250 to 2.5k only)
- Equivalent to: Rice Lake RL20001, Vishay Sensortronics 60001 & Vishay Celtron STC

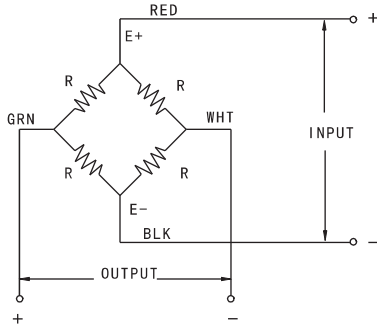
Dimensions

Capacity		A	B	C	D	E	M
250 lb	in	2.00	3.00	1.26	0.50	0.65	3/8"-24 UNF
	mm	50.8	76.2	32.0	12.7	16.5	
500 - 1500 lb	in	2.00	3.00	1.26	0.75	1.10	1/2"-20 UNF
	mm	50.8	76.2	32.0	19.0	28.0	
2000 - 3000 lb	in	2.00	3.00	1.26	1.00	1.24	1/2"-20 UNF
	mm	50.8	76.2	32.0	25.4	31.5	
5000 to 10,000 lb	in	3.00	4.25	1.26	1.00	1.24	3/4"-16 UNF
	mm	76.2	108.0	32.0	25.4	31.5	
20,000 lb	in	5.00	7.00	0.67	2.00	2.24	1-1/4"-12 UNF
	mm	127.0	177.8	17.0	50.8	57.0	



Schematic

Red: + excitation
 Black: - excitation
 Green: + signal
 White: - signal



Capacities / Model

250 lb	BSS-250
500 lb	BSS-500
750 lb	BSS-750
1,000 lb	BSS-1K
1,500 lb	BSS-1.5K
2,000 lb	BSS-2K
2,500 lb	BSS-2.5K
3,000 lb	BSS-3K
5,000 lb	BSS-5K
10,000 lb	BSS-10K
20,000 lb	BSS-20K

Specifications

Rated Output	3.05mV/V \pm 1.64%
Zero Balance	\pm 1% of rated output
Creep after 30 minutes	\pm 0.02% of rated output
Nonlinearity	\pm 0.02% of rated output
Hysteresis	\pm 0.02% of rated output
Repeatability	\pm 0.02% of rated output
Temp. effect on output	\leq 0.002% of applied output/ $^{\circ}$ C
Temp. effect on zero	\leq 0.002% of rated output/ $^{\circ}$ C
Safe Temp. Range	-10 $^{\circ}$ C to + 70 $^{\circ}$ C
Temp. Compensated	-10 $^{\circ}$ C to + 50 $^{\circ}$ C
Safe Overload	150%
Input Impedance	387ohm \pm 5 ohm
Output Impedance	350 ohm \pm 3 ohm
Insulation Resistance	\geq 5000 M ohm (50V DC)
Rated Excitation	10V DC/AC
Maximum Excitation	15V DC/AC
Cable Length	20 ft (6 m)
Cable Color Code	Red(+E) Black(-E) Green(+S) White(-S)