

# BSS

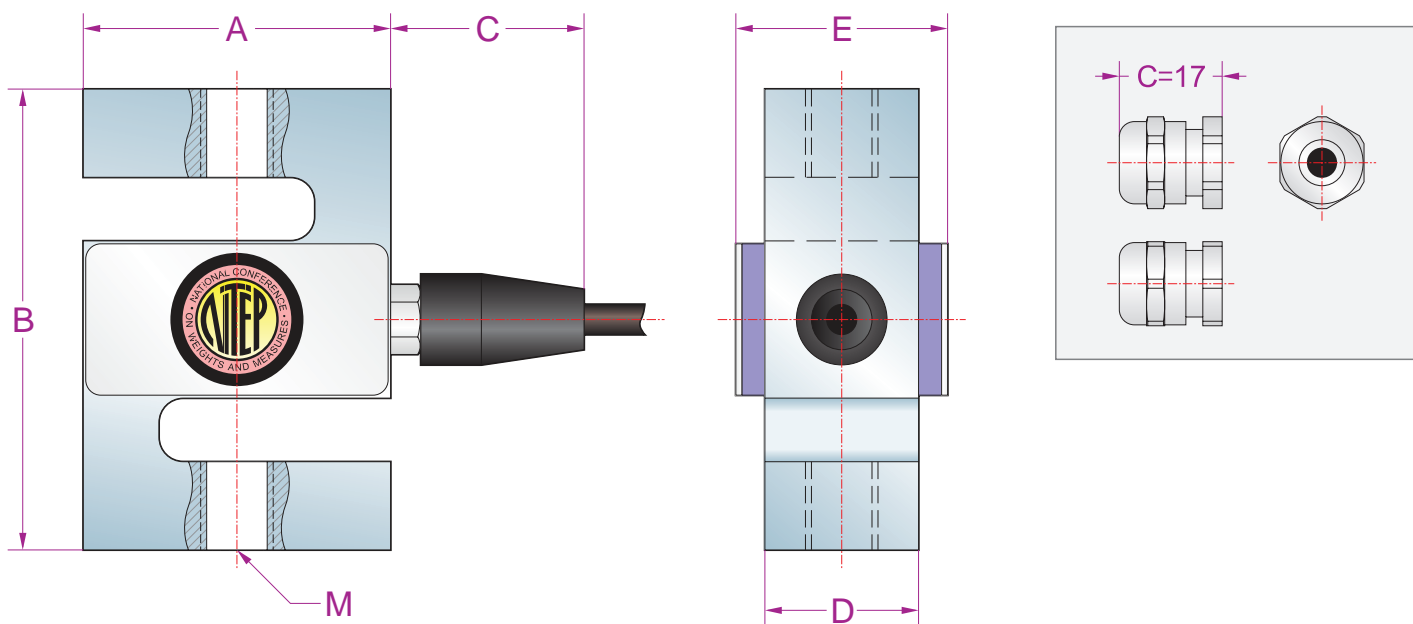


## Features

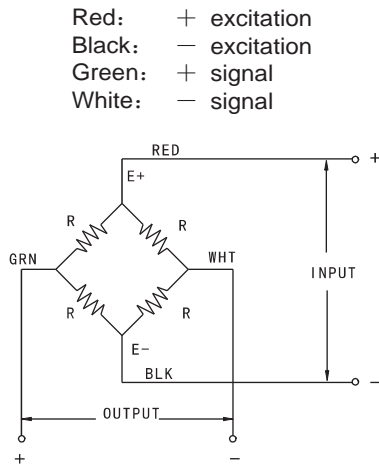
- S-Type Load Cell
- Alloy Steel
- Easy to Install, Stable & Reliable
- Suitable for Tension Measurement, Batching systems, Blending & Mixing systems, Belt Scales and Package Systems, etc.
- Rated up to IP67
- NTEP CoC: 97-028 (250 to 2.5k only)
- Equivalent to: Rice Lake RL20001, Vishay Sensortronics 60001 & Vishay Celtron STC

## Dimensions

| Capacity          |    | A     | B     | C    | D    | E    | M             |
|-------------------|----|-------|-------|------|------|------|---------------|
| 250 lb            | in | 2.00  | 3.00  | 1.26 | 0.50 | 0.65 | 3/8"-24 UNF   |
|                   | mm | 50.8  | 76.2  | 32.0 | 12.7 | 16.5 |               |
| 500 - 1500 lb     | in | 2.00  | 3.00  | 1.26 | 0.75 | 1.10 | 1/2"-20 UNF   |
|                   | mm | 50.8  | 76.2  | 32.0 | 19.0 | 28.0 |               |
| 2000 - 3000 lb    | in | 2.00  | 3.00  | 1.26 | 1.00 | 1.24 | 1/2"-20 UNF   |
|                   | mm | 50.8  | 76.2  | 32.0 | 25.4 | 31.5 |               |
| 5000 to 10,000 lb | in | 3.00  | 4.25  | 1.26 | 1.00 | 1.24 | 3/4"-16 UNF   |
|                   | mm | 76.2  | 108.0 | 32.0 | 25.4 | 31.5 |               |
| 20,000 lb         | in | 5.00  | 7.00  | 0.67 | 2.00 | 2.24 | 1-1/4"-12 UNF |
|                   | mm | 127.0 | 177.8 | 17.0 | 50.8 | 57.0 |               |



## Schematic



## Capacities / Model

|           |          |
|-----------|----------|
| 250 lb    | BSS-250  |
| 500 lb    | BSS-500  |
| 750 lb    | BSS-750  |
| 1,000 lb  | BSS-1K   |
| 1,500 lb  | BSS-1.5K |
| 2,000 lb  | BSS-2K   |
| 2,500 lb  | BSS-2.5K |
| 3,000 lb  | BSS-3K   |
| 5,000 lb  | BSS-5K   |
| 10,000 lb | BSS-10K  |
| 20,000 lb | BSS-20K  |

## Specifications

|                        |   |
|------------------------|---|
| Rated Output           | 3.05mV/V $\pm$ 1.64%                          |
| Zero Balance           | $\pm$ 1% of rated output                      |
| Creep after 30 minutes | $\pm$ 0.02% of rated output                   |
| Nonlinearity           | $\pm$ 0.02% of rated output                   |
| Hysteresis             | $\pm$ 0.02% of rated output                   |
| Repeatability          | $\pm$ 0.02% of rated output                   |
| Temp. effect on output | $\leq$ 0.002% of applied output/ $^{\circ}$ C |
| Temp. effect on zero   | $\leq$ 0.002% of rated output/ $^{\circ}$ C   |
| Safe Temp. Range       | -10 $^{\circ}$ C to + 70 $^{\circ}$ C         |
| Temp. Compensated      | -10 $^{\circ}$ C to + 50 $^{\circ}$ C         |
| Safe Overload          | 150%  |
| Input Impedance        | 387ohm $\pm$ 5 ohm                            |
| Output Impedance       | 350 ohm $\pm$ 3 ohm                           |
| Insulation Resistance  | $\geq$ 5000 M ohm (50V DC)                    |
| Rated Excitation       | 10V DC/AC                                     |
| Maximum Excitation     | 15V DC/AC                                     |
| Cable Length           | 20 ft (6 m)                                   |
| Cable Color Code       | Red(+E) Black(-E) Green(+S) White(-S)         |