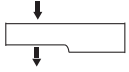


SBSB

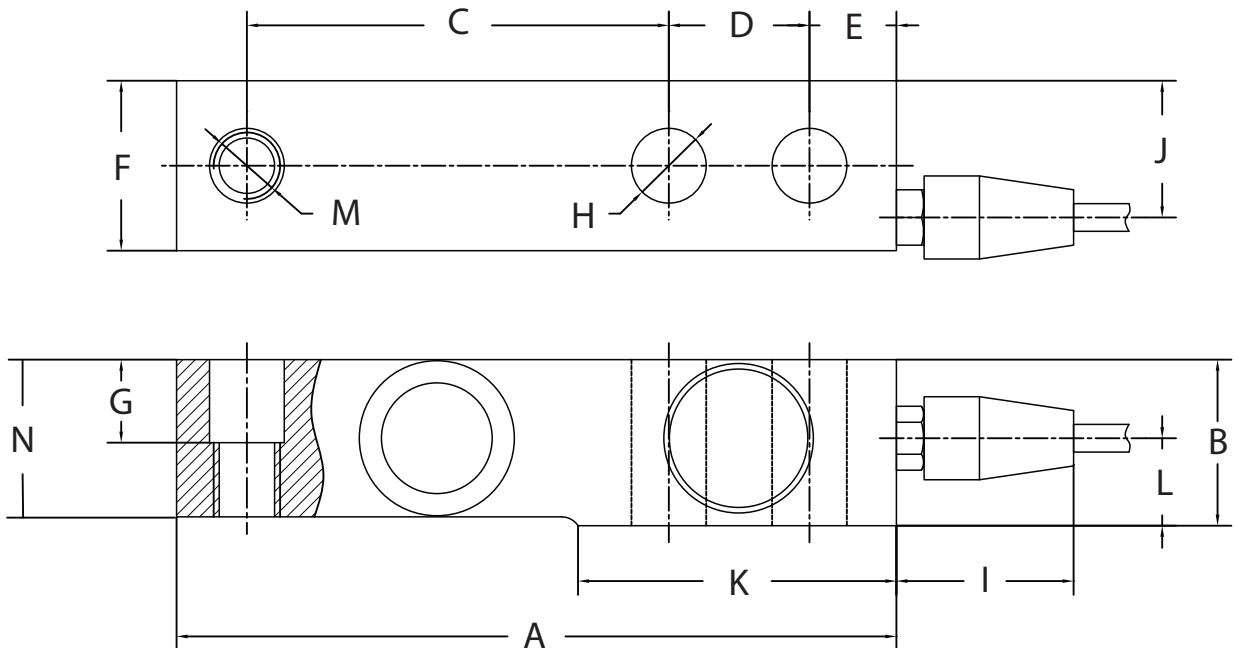


Features

- Single Ended Shear Beam Load Cell
- Stainless Steel
- Easy to Install, Stable & Reliable
- Suitable for Floor Scales, Blending & Mixing Systems, Belt Scales and Package Systems, etc.
- Rated up to IP68
- Hermetically Sealed
- Equivalent to: HBM B35 & HBM H35
- Interchangeable models:
 - * Vishay Celtron SQB SS
 - * Vishay Sensortronics 65023S
 - * Vishay Revere Transducers 9123
 - * Rice Lake Weighing Systems RL39123

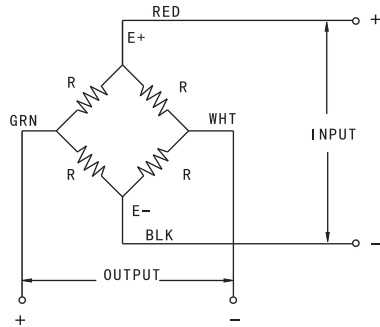
Dimensions

| Capacity | | A | B | C | D | E | F | G | H | I | J | K | L | M | N |
|------------------|----|-------|------|------|------|------|------|------|------|------|------|------|------|-------------|------|
| 1,000 - 5,000 lb | in | 5.12 | 1.18 | 3.00 | 1.00 | 0.62 | 1.21 | 0.59 | 0.53 | 1.26 | 0.97 | 2.26 | 0.62 | 1/2"-20 UNF | 1.12 |
| | mm | 130.0 | 30.0 | 76.2 | 25.4 | 15.7 | 30.7 | 15.0 | 13.5 | 32.0 | 24.7 | 57.5 | 15.8 | | 28.4 |
| 10,000 lb | in | 6.75 | 1.44 | 3.75 | 1.50 | 0.75 | 1.44 | 0.69 | 0.78 | 1.26 | 1.25 | 3.00 | 0.74 | 3/4"-16 UNF | 1.34 |
| | mm | 171.5 | 36.5 | 95.3 | 38.1 | 19.1 | 36.5 | 17.5 | 19.8 | 32.0 | 31.7 | 76.2 | 18.7 | | 34.0 |



Schematic

Red: + excitation
 Black: - excitation
 Green: + signal
 White: - signal



Capacities / Model

| | |
|-----------|------------|
| 1,000 lb | SBSB-1K |
| 2,500 lb | SBSB-2.5K |
| 4,000 lb | SBSB-4K |
| 5,000 lb | SBSB-5K/SE |
| 10,000 lb | SBSB-10K |

Specifications

| | |
|------------------------|---|
| Rated Output | 3.0mV/V \pm 0.1% |
| Zero Balance | \pm 1% of rated output |
| Creep after 30 minutes | \pm 0.02% of rated output |
| Nonlinearity | \pm 0.02% of rated output |
| Hysteresis | \pm 0.02% of rated output |
| Repeatability | \pm 0.02% of rated output |
| Temp. effect on output | \leq 0.002% of applied output/ $^{\circ}$ C |
| Temp. effect on zero | \leq 0.002% of rated output/ $^{\circ}$ C |
| Safe Temp. Range | -10 $^{\circ}$ C to + 70 $^{\circ}$ C |
| Temp. Compensated | -10 $^{\circ}$ C to + 50 $^{\circ}$ C |
| Safe Overload | 150% |
| Input Impedance | 387 ohm \pm 5 ohm |
| Output Impedance | 350 ohm \pm 3 ohm |
| Insulation Resistance | \geq 5000 M ohm (50V DC) |
| Rated Excitation | 10V DC/AC |
| Maximum Excitation | 15V DC/AC |
| Cable Length | 20 ft (6.1 m) |
| Cable Color Code | Red(+E) Black(-E) Green(+S) White(-S) |