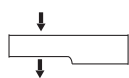


SBS

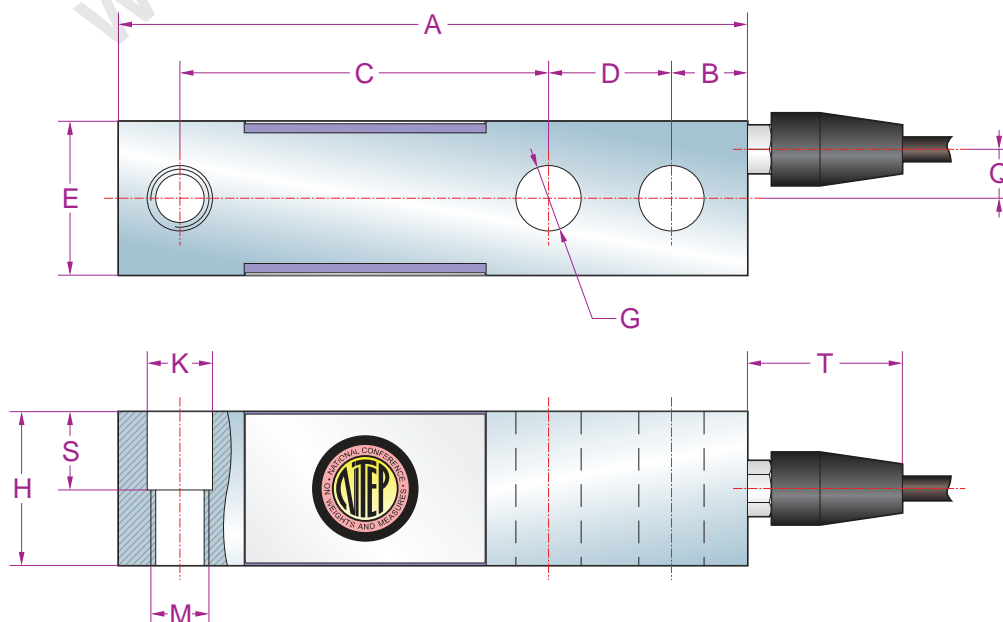


Features

- Single Ended Shear Beam Load Cell
- NTEP, OIML Approved
- Alloy Steel
- Easy to Install, Stable & Reliable
- Suitable for Floor Scales, Blending & Mixing Systems, Belt Scales and Batching Systems, etc.
- Rated up to IP67
- NTEP CoC: 95-146 (1 to 10k only)
- Equivalent to: Vishay Sensortronics 65023
Vishay Revere Transducers 5123, Rice Lake RL30000, Vishay TedeA-Huntleigh 3411, Artech 30310

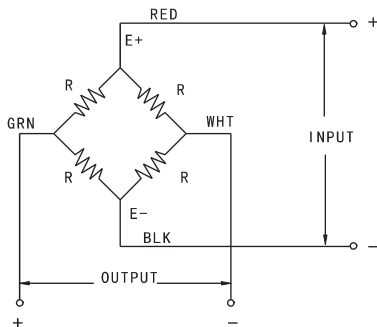
Dimensions

| Capacity | | A | B | C | D | E | G | H | M | K | S | T | Q |
|--------------------|----|-------|------|-------|------|------|------|------|-------------|------|------|------|------|
| 250 - 5000 lb | in | 5.12 | 0.62 | 3.00 | 1.00 | 1.25 | 0.53 | 1.25 | 1/2"-20 UNF | 0.53 | 0.64 | 1.26 | 0.40 |
| | mm | 130.0 | 15.7 | 76.2 | 25.4 | 31.8 | 13.5 | 31.8 | | 13.5 | 16.2 | 32.0 | 10.1 |
| 5000 - 15,000 lb | in | 6.75 | 0.75 | 3.75 | 1.50 | 1.47 | 0.78 | 1.47 | 3/4"-16 UNF | 0.78 | 0.70 | 1.26 | 0.51 |
| | mm | 171.4 | 19.0 | 95.2 | 38.1 | 37.4 | 19.8 | 37.4 | | 19.8 | 17.8 | 32.0 | 13.0 |
| 15,000 - 20,000 lb | in | 8.75 | 1.00 | 4.75 | 2.00 | 1.97 | 1.03 | 1.97 | 1"-14 UNF | 1.03 | 0.98 | 1.26 | 0.67 |
| | mm | 222.2 | 25.4 | 120.6 | 50.8 | 50.0 | 26.2 | 50.0 | | 26.2 | 25.0 | 32.0 | 17.0 |



Schematic

Red: + excitation
 Black: - excitation
 Green: + signal
 White: - signal



Capacities /Model

| | | | |
|----------|----------|-----------|------------|
| 250 lb | SBS-250 | 4,000 lb | SBS-4K |
| 500 lb | SBS-500 | 5,000 lb | SBS-5K/SE |
| 750 lb | SBS-750 | 5,000 lb | SBS-5K/LE |
| 1,000 lb | SBS-1k | 10,000 lb | SBS-10K |
| 2,000 lb | SBS-2k | 15,000 lb | SBS-15K/SE |
| 2,500 lb | SBS-2.5K | 15,000 lb | SBS-15K/LE |
| 3,000 lb | SBS-3K | 20,000 lb | SBS-20K |

Specifications

| | |
|------------------------|---|
| Rated Output | 3.0mV/V \pm 0.1% |
| Zero Balance | \pm 1% of rated output |
| Creep after 30 minutes | \pm 0.03% of rated output |
| Nonlinearity | \pm 0.03% of rated output |
| Hysteresis | \pm 0.03% of rated output |
| Repeatability | \pm 0.03% of rated output |
| Temp. effect on output | \leq 0.002% of applied output/ $^{\circ}$ C |
| Temp. effect on zero | \leq 0.002% of rated output/ $^{\circ}$ C |
| Safe Temp. Range | -10 $^{\circ}$ C to + 70 $^{\circ}$ C |
| Temp. Compensated | -10 $^{\circ}$ C to + 50 $^{\circ}$ C |
| Safe Overload | 150% |
| Input Impedance | 387 ohm \pm 5 ohm |
| Output Impedance | 350 ohm \pm 3 ohm |
| Insulation Resistance | \geq 5000 M ohm (50V DC) |
| Rated Excitation | 10V DC/AC |
| Maximum Excitation | 15V DC/AC |
| Cable Length | 20 ft (6 m) |
| Cable Color Code | Red(+E) Black(-E) Green(+S) White(-S) |