

Model CDBH Series

Double Ended
Shear Beam Load Cell (5t~ 15t)

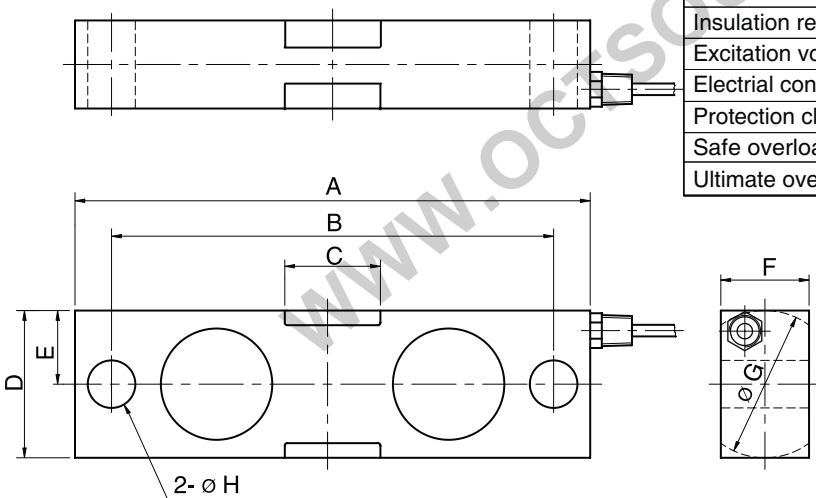
The CDBH series double ended shear beam load cell is designed for high accuracy hopper, tank scales and a variety of process weighing applications.

- Alloy tool steel construction for high accuracy
- Electroless nickel plated for corrosion resistance
- Fully sealed to IP67



SPECIFICATIONS

MODEL	CDBH
Rated capacity (R.C.)	5, 10, 15t
	10, 20, 25, 35 klbs
Rated output(R.O.)	3mV/V ± 0.25%
Non-linearity	≤0.03% R.O.
Hysteresis	≤0.03% R.O.
Non-repeatability	≤0.03% R.O.
Creep error	≤0.03% in 20min.
Zero balance	≤1% R.O.
Compensated temperature range	-10 ~ 70°C
Operating temperature range	-20 ~ 80°C
Temp. effect on rated output	≤0.02% LOAD/10°C
Temp. effect on zero balance	≤0.03% R.O./10°C
Terminal input resistance	700 Ohms ± 10 Ohms
Terminal output resistance	700 Ohms ± 7 Ohms
Insulation resistance (Min.)	2000 MOhms at 50V DC
Excitation voltage	10V(Recommended), 15V(Max.)
Electrical connection(22AWG x 4C)	Ø7mmx6m(Standard), 10m(Option)
Protection class	meets IP 67
Safe overload	150% R.C
Ultimate overload	300% R.C

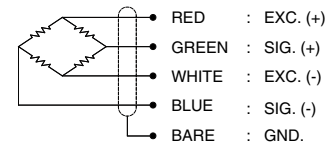


ORDERING INFORMATION

CDBH - 10T

MODEL	CAPACITY
CDBH	5, 10, 15 t
	10, 20, 25, 35 klbs

WIRING INFORMATION



Dimension-mm(inch)

Rated Capacity	A	B	C	D	E	F	G	H
5,10t (49.03, 98.07kN)	222	190.5	41.2	49.3	24.7	36.6	50.6	20.5
15t (147.1kN)	222	190.5	41.2	63.5	31.8	38	63.5	20.5
10k~25klbs (44.48~111.2kN)	(8.75)	(7.50)	(1.62)	(1.94)	(0.97)	(1.44)	(1.99)	(0.81)
35klbs (155.7kN)	(8.75)	(7.50)	(1.62)	(1.94)	(2.50)	(1.50)	(2.50)	(0.81)

* Specifications are subject to change without notice

JAN, 2010