

Model CS61 Series

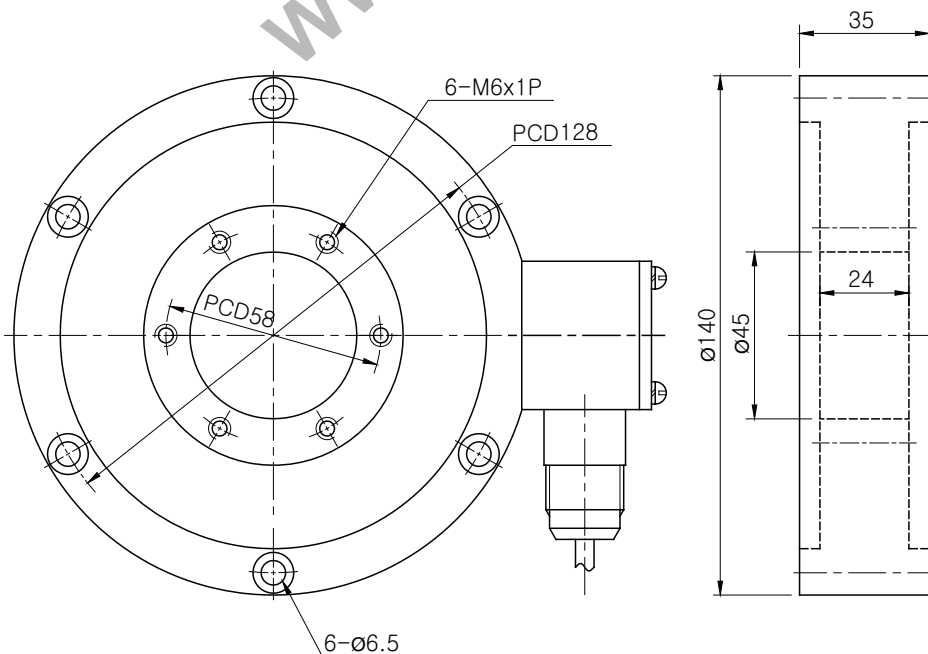
Center hole type load cell (1t ~ 3t)

- Low profile shear type
- Alloy tool steel construction for high accuracy.
- Electroless nickel plated for corrosion resistance.
- Fully sealed to IP67.



SPECIFICATIONS

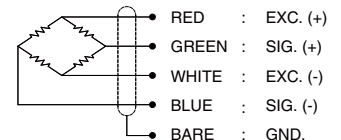
MODEL	CS61
Rated capacity (R.C.)	1, 2, 3t
Rated output(R.O.)	1.5mV/V ± 0.1%
Non-linearity	≤ 0.1% R.O.
Hysteresis	≤ 0.1% R.O.
Non-repeatability	≤ 0.05% R.O.
Creep error	≤ 0.05% in 20min.
Zero balance	≤ 1% R.O.
Compensated temperature range	-10 ~ 70°C
Operating temperature range	-20 ~ 80°C
Temp. effect on rated output	≤ 0.03% LOAD/10°C
Temp. effect on zero balance	≤ 0.03% R.O./10°C
Terminal input resistance	700 Ohms ± 3.5 Ohms
Terminal output resistance	700 Ohms ± 5 Ohms
Insulation resistance (Min.)	2000 MOhms at 50V DC
Excitation voltage	10V(Recommended), 15V(Max.)
Electrial connection	ø5mmx5m(22AWG x 4Core Shielded)
Protection class	meets IP 67
Safe overload	150% R.C
Ultimate overload	300% R.C



ORDERING INFORMATION

CS61 - 2T
 MODEL CAPACITY
 CS61 1, 2, 3 t

WIRING INFORMATION



* Specifications are subject to change without notice

JAN, 2010