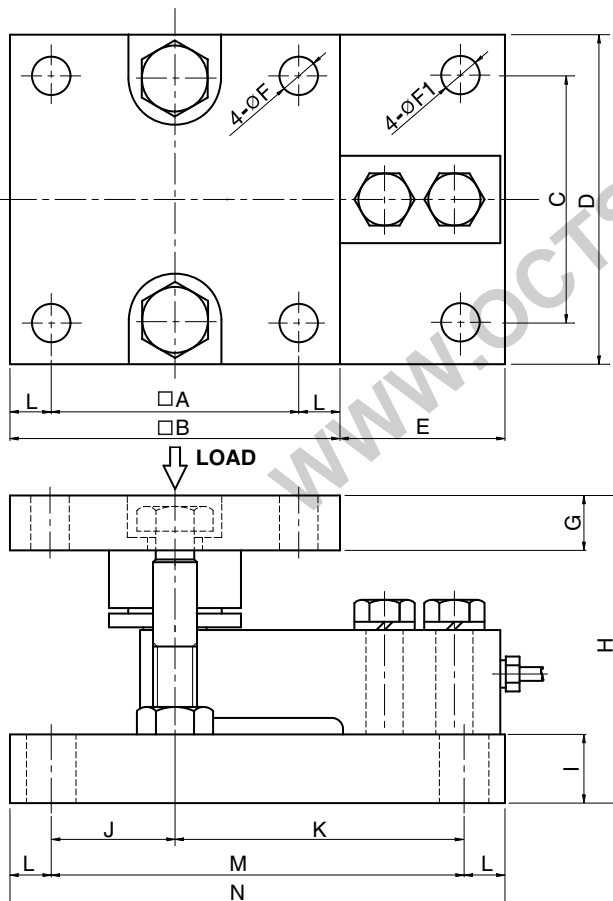
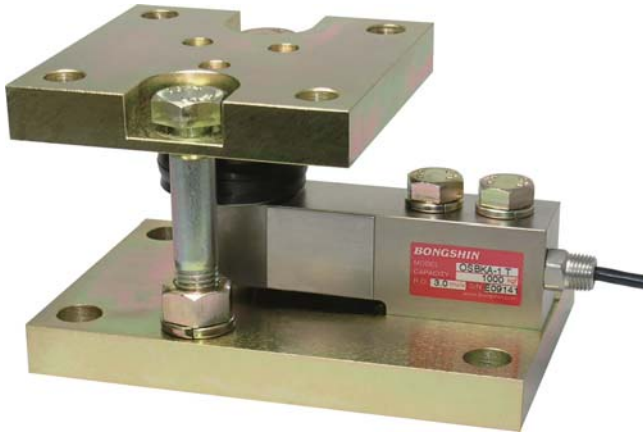


Weigh Module

Model BMK Series

Specially Designed For
Hopper, Bin and Tank(200kg ~ 5t)



Dimension-mm

| Rated Capacity | A | B | C | D | E | F / F1 | G | H | I | J | K | L | M | N | Weight (kg) |
|-------------------------------|-----|-----|-----|-----|----|---------|----|-----|----|----|-----|----|-----|-----|-------------|
| 200kg ~ 2t(1.961kN ~ 19.61kN) | 90 | 120 | 90 | 120 | 60 | 14 / 16 | 20 | 107 | 20 | 45 | 105 | 15 | 150 | 180 | 8.0 |
| 3t ~ 5t(29.42kN ~ 49.03kN) | 110 | 150 | 110 | 150 | 80 | 18 / 20 | 25 | 135 | 30 | 55 | 135 | 20 | 190 | 230 | 15.0 |

- Self centering design for accurate weighing.
- Self checking and overlift protection structure for no check rods needed.
- Fully welded stainless steel loadcell or fully sealed nickel plated load cells.
- Stainless steel or zinc plated steel mounting kit.

SPECIFICATIONS

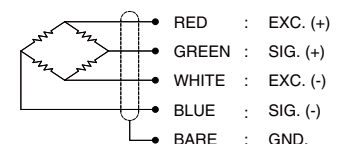
| MODEL | BMK11 | BMK21, BMK22 |
|-------------------------------|--|-------------------------------|
| Rated capacity (R.C.) | 200, 500kg, 1, 2, 3, 5t | |
| Rated output(R.O.) | 3.0mV/V ± 0.25% | 2.0mV/V ± 0.25% |
| Load cell model | OSBK, OSBH | OSW |
| Non-linearity | ≤ 0.03% R.O. | |
| Hysteresis | ≤ 0.02% R.O. | |
| Non-repeatability | ≤ 0.02% R.O. | |
| Creep error | ≤ 0.03% in 20min. | |
| Zero balance | ≤ 1% R.O. | |
| Compensated temperature range | -10 ~ 70°C | |
| Operating temperature range | -20 ~ 80°C | |
| Temp. effect on rated output | ≤ 0.02% LOAD/10°C | |
| Temp. effect on zero balance | ≤ 0.03% R.O./10°C | |
| Terminal input resistance | 400 Ohms ± 20 Ohms | |
| Terminal output resistance | 350 Ohms ± 5 Ohms | |
| Insulation resistance (Min.) | 2000 MOhms at 50V DC | |
| Excitation voltage | 10V(Recommended), 15V(Maximum) | |
| Electrical connection | 200kg ~ 2t (22AWG x 4Core Shielded) | Ø5mmx3m(Standard), 6m(Option) |
| | 3t ~ 5t | Ø5mmx6m |
| Protection class | meets IP 67 | meets IP 68 |
| Safe overload | 150% R.C | |
| Ultimate overload | 300% R.C | |

ORDERING INFORMATION

BMK11 - 2T
 MODEL CAPACITY
 200kg, 500kg, 1t, 2t, 3t, 5t

BMK11: OSBK Load Cell + Zinc Plated Steel Mtg Kit
 BMK21: OSW Stainless Steel Load Cell + Zinc Plated Steel Mtg Kit
 BMK22: OSW Stainless Steel Load Cell + Stainless Steel Mtg Kit

WIRING INFORMATION



* Specifications are subject to change without notice

AUG, 2012