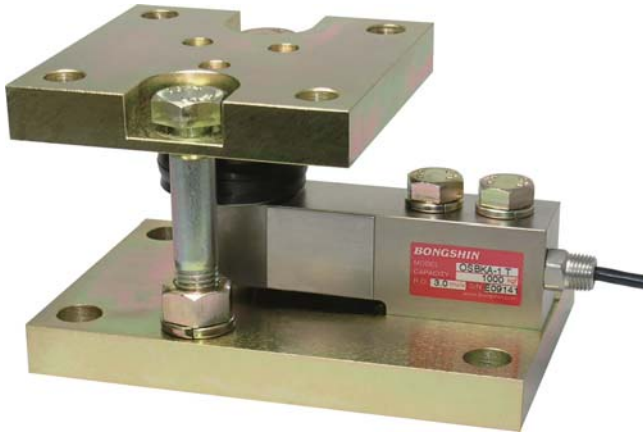


Weigh Module

Model BMK Series

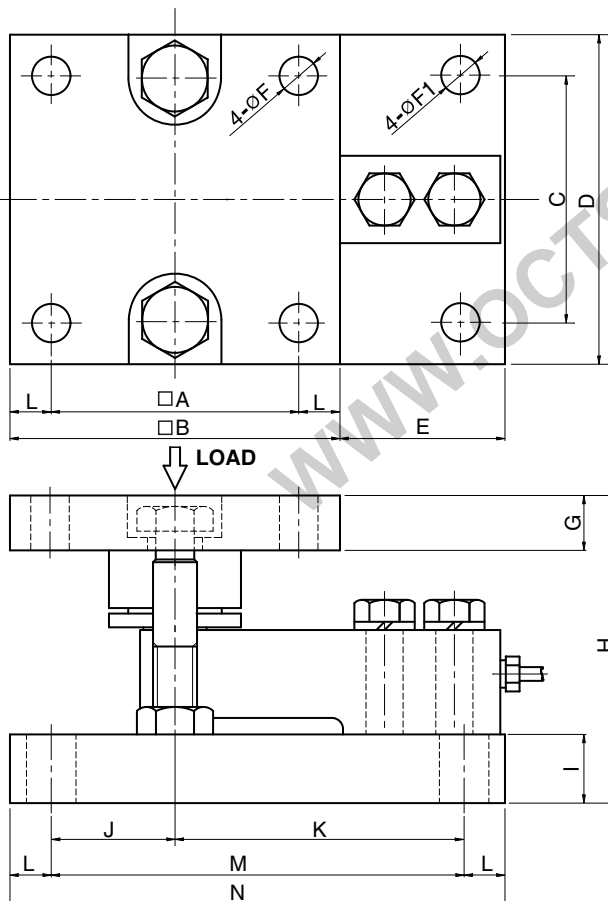
Specially Designed For
Hopper, Bin and Tank(200kg ~ 5t)



- Self centering design for accurate weighing.
- Self checking and overlift protection structure for no check rods needed.
- Fully welded stainless steel loadcell or fully sealed nickel plated load cells.
- Stainless steel or zinc plated steel mounting kit.

SPECIFICATIONS

MODEL	BMK11	BMK21, BMK22
Rated capacity (R.C.)	200, 500kg, 1, 2, 3, 5t	
Rated output(R.O.)	3.0mV/V ± 0.25%	2.0mV/V ± 0.25%
Load cell model	OSBK, OSBH	OSW
Non-linearity	≤ 0.03% R.O.	
Hysteresis	≤ 0.02% R.O.	
Non-repeatability	≤ 0.02% R.O.	
Creep error	≤ 0.03% in 20min.	
Zero balance	≤ 1% R.O.	
Compensated temperature range	-10 ~ 70°C	
Operating temperature range	-20 ~ 80°C	
Temp. effect on rated output	≤ 0.02% LOAD/10°C	
Temp. effect on zero balance	≤ 0.03% R.O./10°C	
Terminal input resistance	400 Ohms ± 20 Ohms	
Terminal output resistance	350 Ohms ± 5 Ohms	
Insulation resistance (Min.)	2000 MOhms at 50V DC	
Excitation voltage	10V(Recommended), 15V(Maximum)	
Electrical connection	200kg ~ 2t (22AWG x 4Core Shielded)	Ø5mmx3m(Standard), 6m(Option)
	3t ~ 5t	Ø5mmx6m
Protection class	meets IP 67	meets IP 68
Safe overload	150% R.C	
Ultimate overload	300% R.C	

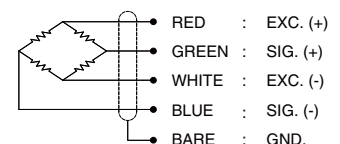


ORDERING INFORMATION

BMK11 - 2T
 MODEL CAPACITY
 200kg, 500kg, 1t, 2t, 3t, 5t

BMK11: OSBK Load Cell + Zinc Plated Steel Mtg Kit
 BMK21: OSW Stainless Steel Load Cell + Zinc Plated Steel Mtg Kit
 BMK22: OSW Stainless Steel Load Cell + Stainless Steel Mtg Kit

WIRING INFORMATION



Dimension-mm

Rated Capacity	A	B	C	D	E	F / F1	G	H	I	J	K	L	M	N	Weight (kg)
200kg ~ 2t(1.961kN ~ 19.61kN)	90	120	90	120	60	14 / 16	20	107	20	45	105	15	150	180	8.0
3t ~ 5t(29.42kN ~ 49.03kN)	110	150	110	150	80	18 / 20	25	135	30	55	135	20	190	230	15.0

* Specifications are subject to change without notice

AUG, 2012