

Model BCH Series Compression Load Cell (1t ~ 50t)

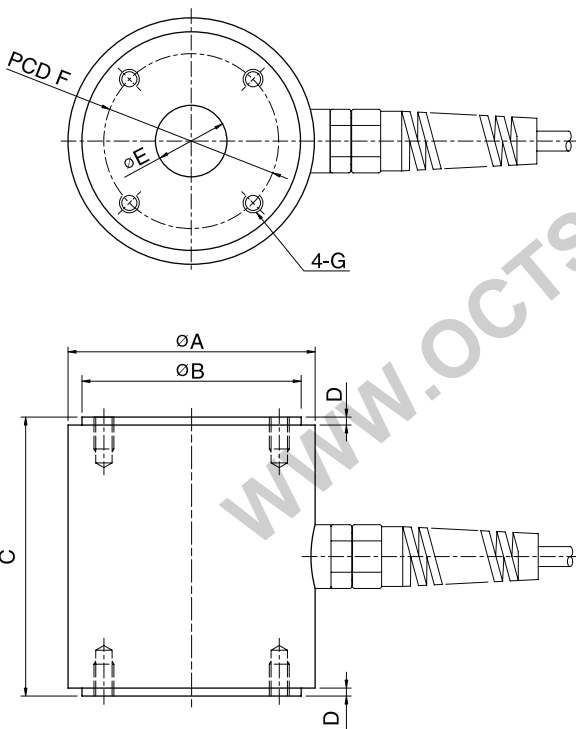


The BCH series is designed for the load control and the monitoring during the power inserting using the press. It is also designed user-friendly; each 4 threaded holes, on top and bottom, with the flange type are very helpful while the installation.

- Robust high capacity design
- High alloy steel construction
- Rated output (1.0mV/V)

SPECIFICATIONS

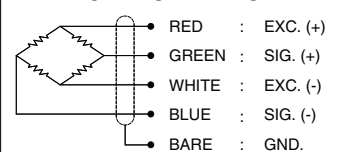
MODEL	BCH
Rated capacity (R.C.)	1, 2, 3, 5, 10, 20, 30, 50 t
Rated output(R.O.)	1.0mV/V \pm 1.0%
Non-linearity	\leq 0.5% R.O.
Hysteresis	\leq 0.5% R.O.
Non-repeatability	\leq 0.5% R.O.
Creep error	\leq 0.5% in 20min.
Zero balance	1% R.O.
Compensated temperature range	-10 ~ 70°C
Operating temperature range	-20 ~ 80°C
Temp. effect on rated output	\pm 0.03% LOAD/10°C
Temp. effect on zero balance	\pm 0.03% R.O./10°C
Terminal input resistance	350 Ohms \pm 10 Ohms
Terminal output resistance	350 Ohms \pm 10 Ohms
Insulation resistance (Min.)	2000 MOhms at 50V DC
Excitation voltage	10V(Recommended), 15V(Max.)
Electrial connection	\varnothing 7mmx6m(22AWG x 4Core Shielded)
Protection class	meets IP 64
Safe overload	150% R.C
Ultimate overload	300% R.C



ORDERING INFORMATION

BCH - 10T
 MODEL: BCH CAPACITY: 1, 2, 3, 5, 10, 20, 30, 50t

WIRING INFORMATION



Dimension-mm

Rated Capacity	A	B	C	D	E	F	G	Weight(kg)
1t (9.807 kN)	62	55	70	2	18	44	2x4-M5x0.8P Depth 8	0.95
2t (19.61 kN)	62	55	70	2	18	44	2x4-M5x0.8P Depth 8	1.0
3t (29.42 kN)	62	55	70	2	18	44	2x4-M5x0.8P Depth 8	1.0
5t (49.03 kN)	62	55	70	2	18	44	2x4-M6x1P Depth 8	1.0
10t (98.07 kN)	62	55	80	2	18	44	2x4-M6x1P Depth 8	1.3
20t (196.1 kN)	88	80	100	2	20	60	2x4-M8x1.25P Depth 12	2.9
30t (294.2 kN)	100	90	120	2	20	70	2x4-M8x1.25P Depth 15	4.6
50t (490.3 kN)	134	120	150	2	30	90	2x4-M10x1.5P Depth 16	11

* Specifications are subject to change without notice

JAN, 2010