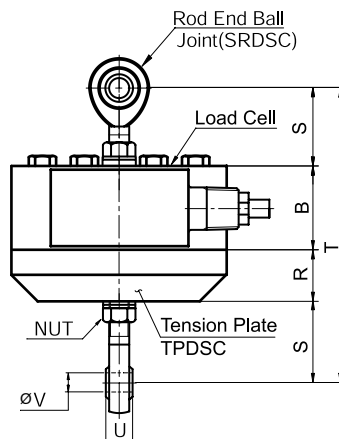
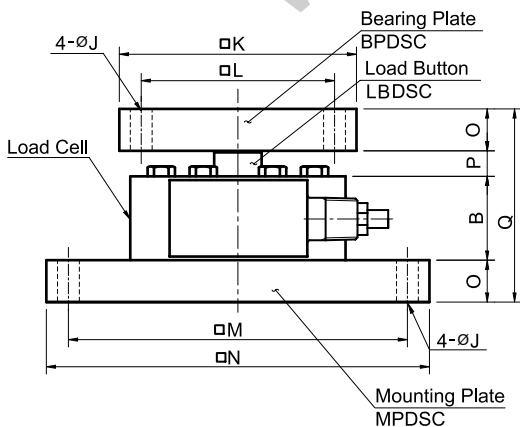
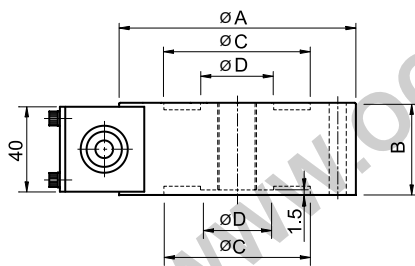
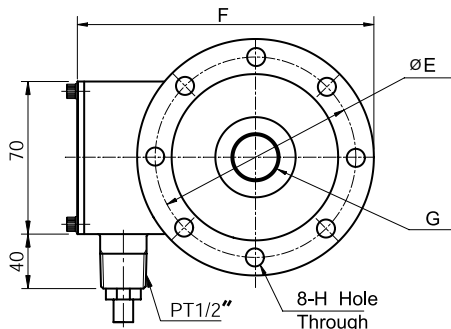


## Model DSCK Series

Compression & tension  
low profile load cell (1t ~ 20t)



The model DSCK is a low profile tension and compression shear type load cell suited to precision applications where headroom and side loads are a problem. All units are machined from a solid billet of tool steel and sealed with welded diaphragms.

- Hermetically sealed
- High rated output(3mV/V)
- Insensitive to side load

### SPECIFICATIONS

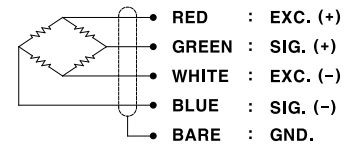
MODEL	DSCK
Rated capacity (R.C.)	1, 2, 3, 5, 10, 20t
Rated output(R.O.)	3mV/V ± 0.3%
Non-linearity	≤0.05% R.O.
Hysteresis	≤0.05% R.O.
Non-repeatability	≤0.02% R.O.
Creep error	≤0.03% in 20min.
Zero balance	≤1% R.O.
Compensated temperature range	-10 ~ 70°C
Operating temperature range	-20 ~ 80°C
Temp. effect on rated output	≤0.03% LOAD/10°C
Temp. effect on zero balance	≤0.03% R.O./10°C
Terminal input resistance	700 Ohms ± 10 Ohms
Terminal output resistance	700 Ohms ± 10 Ohms
Insulation resistance (Min.)	2000 MOhms at 50V DC
Excitation voltage	10V(Recommended), 15V(Max.)
Electrical connection	Ø9mmx5m(22AWG x 4Core Shielded)
Protection class	meets IP 67
Safe overload	150% R.C
Ultimate overload	300% R.C

### ORDERING INFORMATION

#### DSCK - 10T

MODEL: DSCK      CAPACITY: 1, 2, 3, 5, 10, 20 ton

### WIRING INFORMATION



	1 ~5t	10t	20t
Load Button	LBDS1	LBDS2	LBDS3
Mounting Plate	MPDSC1	MPDSC2	MPDSC3
Bearing Plate	BPDSC1	BPDSC2	BPDSC3
Tension Plate	TPDSC1	TPDSC2	TPDSC3
Rod End Ball Joint	SRDSC1	SRDSC2	SRDSC3

Dimension-mm

Rated Capacity	A	B	C	D	E	F	G	H	J	K	L	M	N	O	P	Q	R	S	T	U	V	Weight (kg)
1~5t (9.81kN ~49.03kN)	118	46	86	34	100	153	M24x2P	9	12	130	106	185 x105	210 x130	23	14	106	32	55	248	28	22	4
10t (98.07 kN)	138	60	98	50	116	180	M39x2P	11	14	160	126	125 x125	160 x160	30	20	140	45	100	405	43	40	6
20t (196.1 kN)	186	70	133	73	154	228	M50x2P	14	14	200	150	160 x160	200 x200	30	40	170	55	120	485	53	50	12

\* Specifications are subject to change without notice

DEC ,2005