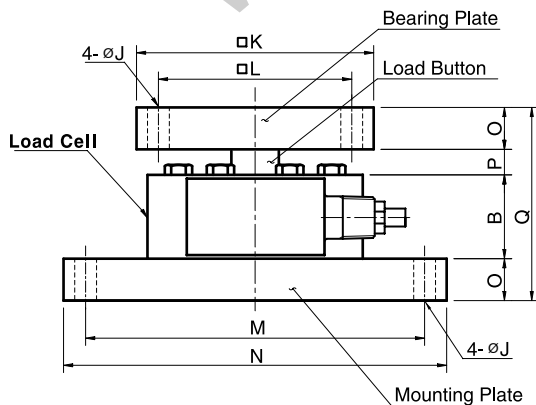
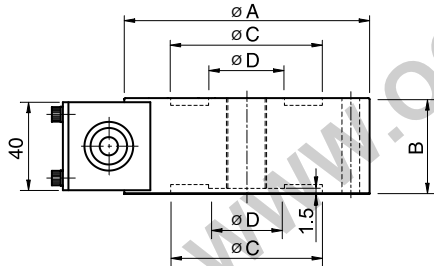
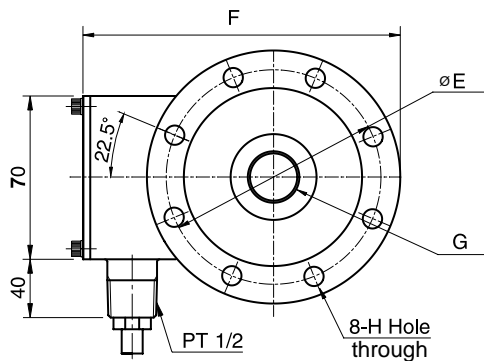


Model DSCH(S) Series

Compression & tension

low profile load cell (2t ~ 20t)



Dimension-mm

| Rated Capacity | A | B | C | D | E | F | G | H | J | K | L | M | N | O | P | Q | Weight (kg) |
|------------------------|-----|----|-----|----|-----|-----|----------|-----|----|-----|-----|----------|----------|----|----|-----|-------------|
| 2t (19.61kN) | 112 | 46 | 81 | 27 | 96 | 147 | M16x2P | 6.5 | 12 | 130 | 106 | 185 x105 | 210 x130 | 23 | 13 | 105 | 4 |
| 3~5t (29.42kN~49.03kN) | 118 | 46 | 86 | 34 | 100 | 153 | M18x1.5P | 9 | 12 | 130 | 106 | 185 x105 | 210 x130 | 23 | 15 | 107 | 4 |
| 10t (98.07 kN) | 138 | 60 | 98 | 50 | 116 | 180 | M24x2P | 11 | 14 | 160 | 126 | 125 x125 | 160 x160 | 30 | 20 | 140 | 6 |
| 20t (196.1 kN) | 182 | 80 | 128 | 74 | 154 | 228 | M39x2P | 14 | 14 | 200 | 150 | 160 x160 | 200 x200 | 30 | 35 | 175 | 12 |

The model DSCH(S) is a low profile tension and compression pancake type load cell. All units are machined from a solid billet and sealed with welded diaphragms.

- Alloy steel or stainless steel (17-4PH) construction for high accuracy and corrosion resistance
- Hermetically sealed
- High rated output(3mV/V)

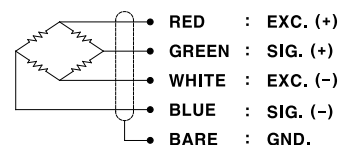
SPECIFICATIONS

| MODEL | DSCH, DSCHS |
|-------------------------------|------------------------------|
| Rated capacity (R.C.) | 2, 3, 5, 10, 20t |
| Rated output (R.O.) | 3.0mV/V ± 0.2% |
| Non-linearity | ≤ 0.05% R.O. |
| Hysteresis | ≤ 0.05% R.O. |
| Non-repeatability | ≤ 0.02% R.O. |
| Creep error | ≤ 0.03% in 20min. |
| Zero balance | ± 1% R.O. |
| Compensated temperature range | -10 ~ 70°C |
| Operating temperature range | -20 ~ 80°C |
| Temp. effect on rated output | ≤ 0.03% LOAD/10 °C |
| Temp. effect on zero balance | ≤ 0.03% R.O./10 °C |
| Terminal input resistance | 350 Ohms ± 3.5 Ohms |
| Terminal output resistance | 350 Ohms ± 5 Ohms |
| Insulation resistance (Min.) | 2000 MOhms at 50V DC |
| Excitation voltage | 10V(Recommended), 15V(Max.) |
| Electrical connection | ø7mmx5m(Option 6m), 22AWGx4C |
| Protection class | meets IP 67 |
| Safe overload | 150% R.C |
| Ultimate overload | 300% R.C |

ORDERING INFORMATION

DSCH - 2T
 MODEL CAPACITY : 2, 3, 5, 10, 20 ton
 DSCH : Painted Alloy Steel
 DSCHS : Stainless Steel (17-4PH)

WIRING INFORMATION



* Specifications are subject to change without notice

DEC ,2005