

Compression Load Cell (Canister type)

FCC2

100, 200, 300, 500kgf
1, 2, 3, 5, 10, 20, 30, 100, 200tf



FEATURES

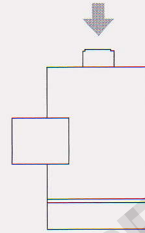
- Hermetically sealed
- Rust design
- Compression only
- Protection class IP66

OPTIONS

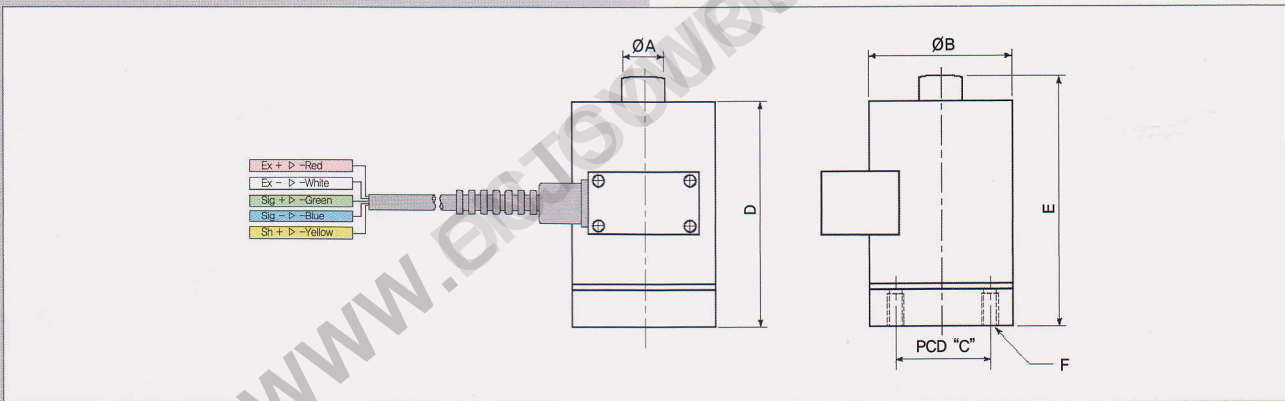
- Stainless steel
- High accuracy grade

Material : Nickel plated steel

Cable : Braided Shield 4-wire round cable



DIMENSIONS (unit : mm)



Model	Capacity	ØA	ØB	C	D	E	F
FCC1, FCC2	10kgf~5tf	24	88.5	60	116.5	130	4-M10 x P1.5
FCC1, FCC2	10tf	32	88.5	60	116.5	130	4-M10 x P1.5
FCC1, FCC2	20tf	32	88.5	60	116.5	130	4-M10 x P1.5
FCC1, FCC2	30tf	32	88.5	60	116.5	130	4-M10 x P1.5
FCC1, FCC2	50tf	55	88.5	60	136	156	4-M10 x P1.5
FCC1, FCC2	100tf	55	164	90	180	200	4-M14 x P2.0
FCC1, FCC2	200tf	95	164	100	180	200	4-M14 x P2.0

※ Option : Material selection (Aluminum or stainless steel)

SPECIFICATIONS

Rated capacity (R.C.)	kgf, tf	100, 200, 300, 500kgf / 1, 2, 3, 5, 10, 20, 30, 100, 200tf	
Rated output (R.O.)	mV/V	2.0±0.005	
Zero balance	mV/V	0±1	
Model		High (Option)	General
Combine error	%	0.05	0.1
Repeatability	%	0.02	0.1
Creep for 30 min	%	0.02	0.1
Temperature effect on			
Zero Value	%/10°C	0.03	0.03
Output Value	%/10°C	0.03	0.03
Excitation			
Recommended	V	10	
Maximum	V	15	
Resistance			
Input	Ω	350±3.5	
Output	Ω	350Ω±5	
Insulation	MΩ	> 2,000	
Compensated temperature range	°C	-10 to +40	
Operating temperature range	°C	-20 to +70	