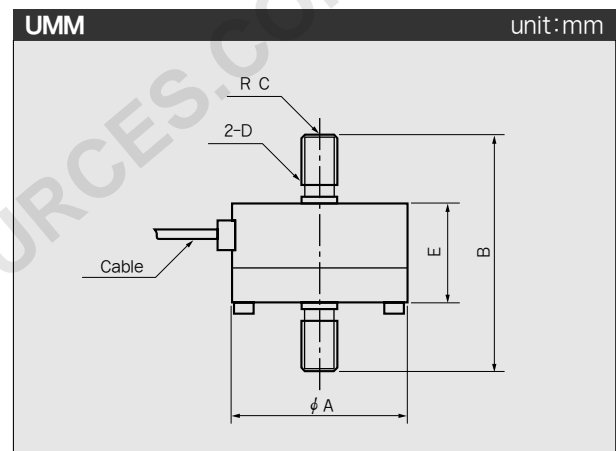
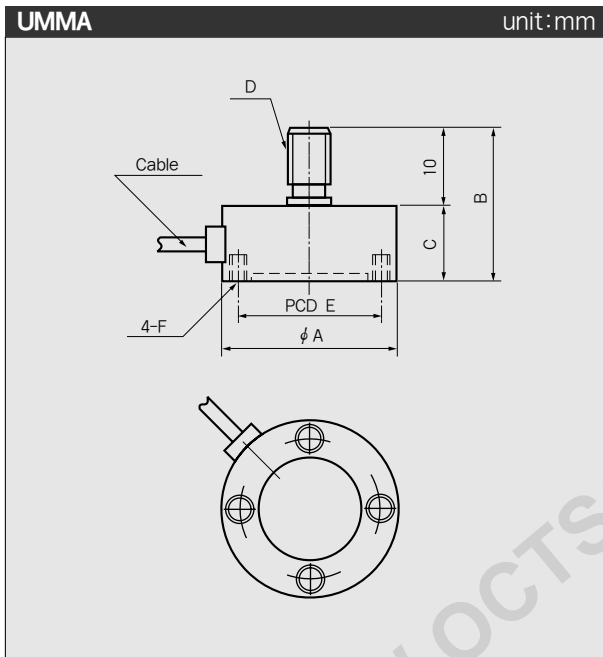
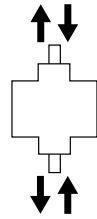


MINIATURE TENSION LOAD CELLS

Model UMM, UMMA

Compression or Tension load cell.
 These load cells are extremely small and lightweight.
 Protection Class IP67



Specifications

Specifications	Accuracy	
	UMMA	UMM
Rated capacity(R.C)	1kgf, 2kgf, 5kgf, 10kgf, 20kgf, 50kgf, 100kgf, 200kgf	1kgf, 2kgf, 5kgf, 10kgf, 20kgf, 50kgf, 100kgf, 200kgf
Rated output(R.O)	0.7~1.2mv/v	0.7~1.2mv/v
Nonlinearity	0.1% of R.O.	0.1% of R.O.
Hysteresis	0.1% of R.O.	0.1% of R.O.
Repeatability	0.1% of R.O.	0.1% of R.O.
Zero balance	±2% of R.O.	±2% of R.O.
Temperature effect, on rated output	0.1% of LOAD / 10°C	0.1% of LOAD / 10°C
Temperature effect, on zero balance	0.05% of R.O. / 10°C	0.05% of R.O. / 10°C
Temperature range, compensated	-10~70°C	-10~70°C
Temperature range, safe	-10~80°C	-10~80°C
Terminal resistance input	350±30 Ω	350±30 Ω
Terminal resistance output	350±2 Ω	350±2 Ω
Insulation resistance bridge/case	2000MΩ	2000MΩ
Excitation recommended	5V	5V
Safe overload	120% R.C	120% R.C
Cable length	φ 3.4core shield cable, 2m	φ 3.4core shield cable, 2m

Dimensions Table / UMM UMMA

Unit:mm

Capacity	UMMA						UMM					
	A	B	C	D	E	F	A	B	C	D	E	F
1kgf(9.807N)	23	19	10	M3×0.5	18	M3DP8	23	32	20	M3×0.5	14	-
2kgf(19.61N)	23	19	10	M3×0.5	18	M3DP8	23	32	20	M3×0.5	14	-
5kgf(49.03N)	23	19	10	M3×0.5	18	M3DP8	23	32	20	M3×0.5	14	-
10kgf(98.07N)	27	21	11	M6×1	22	M4DP8	27	35	30	M6×1	17	-
20kgf(196.1N)	27	21	11	M6×1	22	M4DP8	27	35	30	M6×1	17	-
50kgf(490.3N)	27	21	11	M6×1	22	M4DP8	27	35	30	M6×1	17	-
100kgf(980.7N)	27	21	11	M6×1	22	M4DP8	27	35	30	M6×1	17	-
200kgf(1.961KN)	27	21	11	M6×1	22	M4DP8	27	35	30	M6×1	17	-