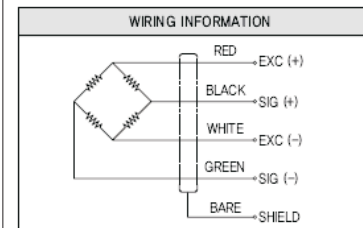
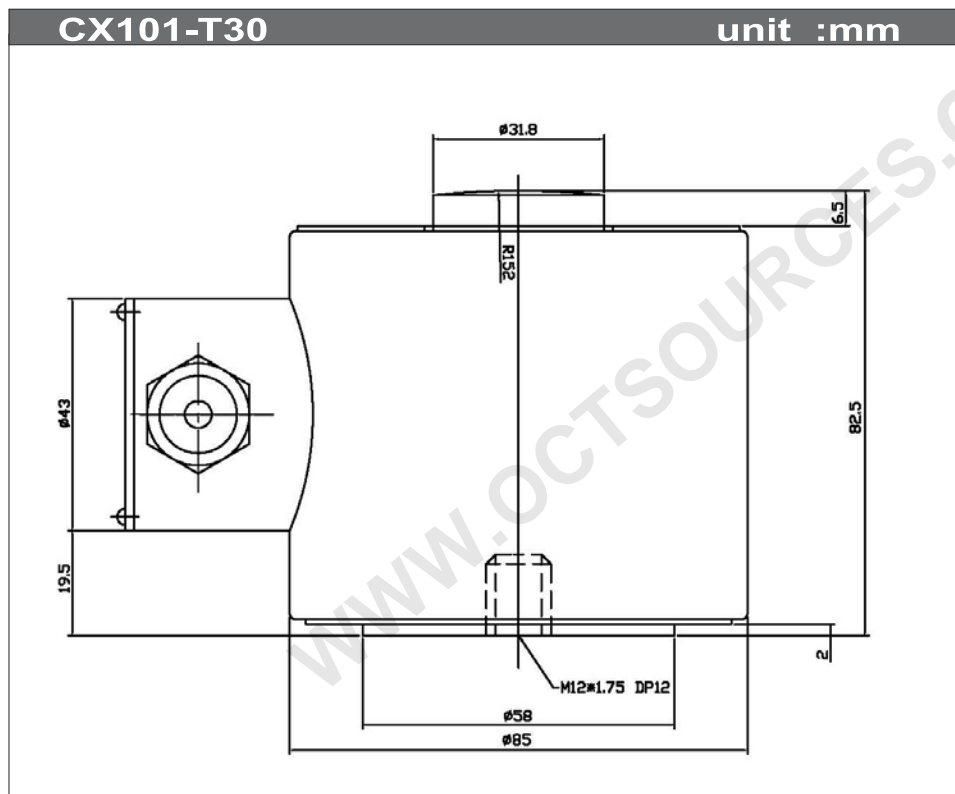


COMPRESSION LOADCELL

Model CX101

High Precision Accuracy,
Compression Service.
Hopper, Tank Weighing.
Protection Class IP67



SPECIFICATIONS

Specification	Accuracy
Model	CX101-T30
Rated Capacity(R.O.)	30tf
Rated Output(R.O.)	2mV/V
Non-linearity	0.1% R.O.
Hysteresis	0.1%R.O.
Repeatability	0.05% R.O.
Zero Balance	$\pm 1\%$ R.O.
Temp.Range Compensated	-10°C ~40°C
Temp. Effect On Rated Output	$\pm 0.1\%$ load / 10°C
Temp.effect On Zero Balance.	$\pm 0.05\%$ R.O./10°C
Resistance, Input	350 ohm ± 3.5
Resistance, Output	350 ohm ± 1
Insulation Resistance Bridge To Ground	5000Mohm
Electrical Connection	$\phi 3\text{mm} \times 4\text{C} \times 3\text{m}$, 고온케이블사용
Exc.recommended	10V
Safe Overload	120% R.C