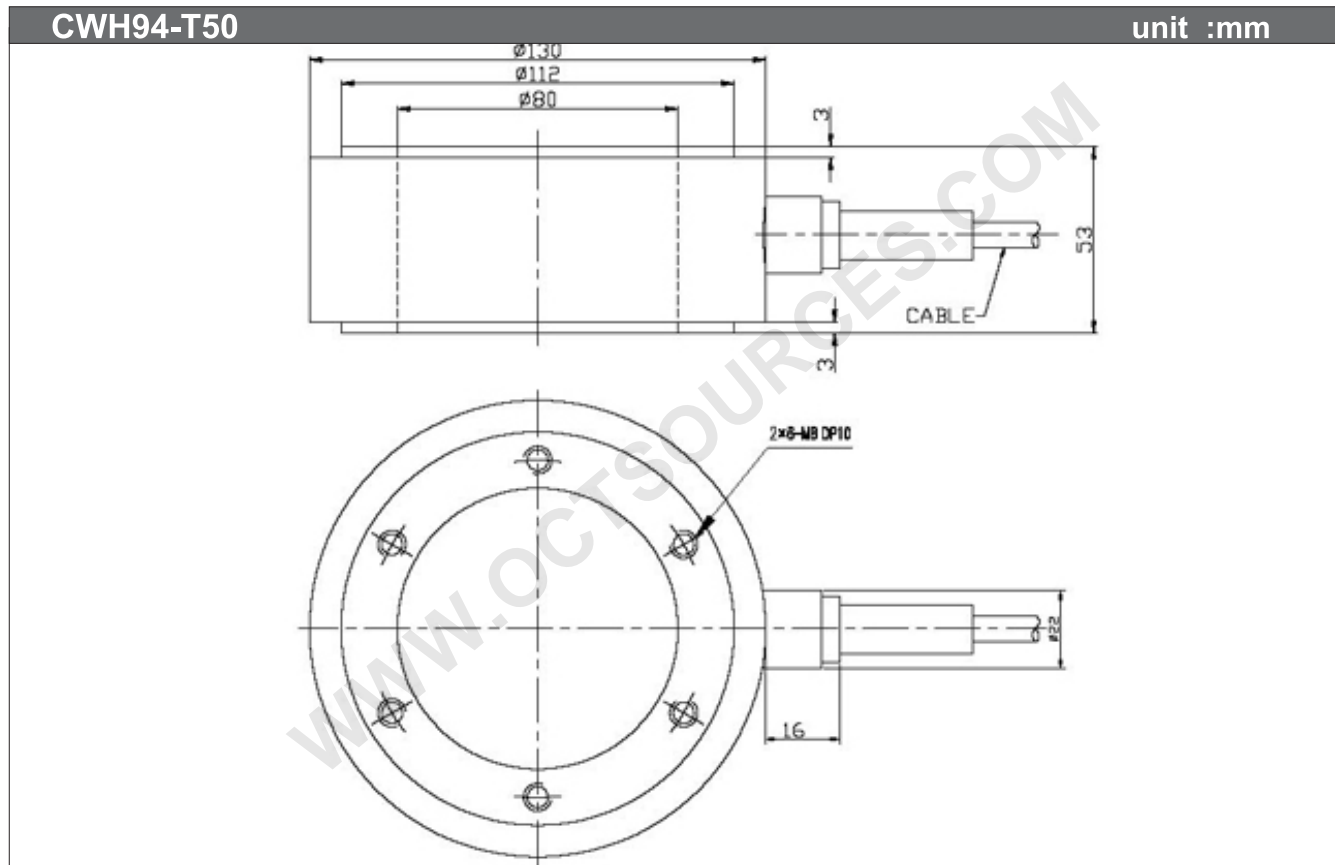


COMPRESSION LOADCELL

Model CWH94

Easy installation with hole in center. Designed for use in civil engineering measurement, these loads on tunnel supports and soil pressure on protective Walls to aid control in construction projects.



SPECIFICATIONS

Specification	Accuracy
Model	CWH94-T50
Rated Capacity(R.O.)	50tf
Rated Output(R.O.)	3 mV/V
Non-linearity	1% R.O.
Hysteresis	1%R.O.
Repeatability	0.2% R.O.
Zero Balance	± 2 % R.O.
Temp.Range Compensated	-10°C ~ 60°C
Temp. Effect On Rated Output	± 0.03%load / 10°C
Temp.effect On Zero Balance.	± 0.03% R.O./10°C
Resistance, Input	350 ohm± 10
Resistance, Output	350 ohm± 5
Insulation Resistance Bridge To Ground	2000Mohm
Electrical Connection	ø7mm x 4C x 5m
Exc.recommended	10V
Safe Overload	150% R.C